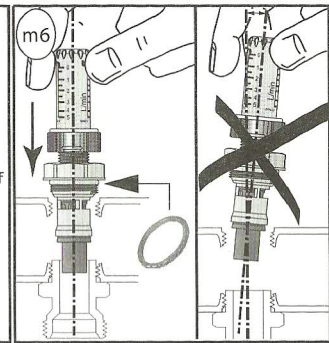
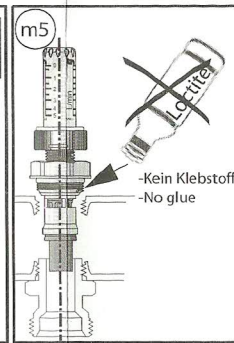
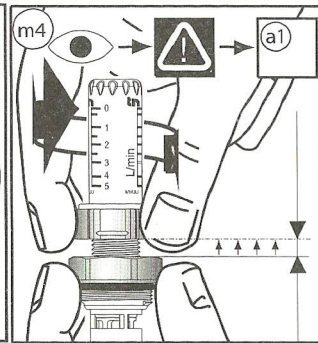
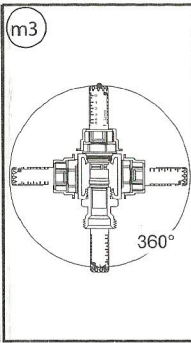
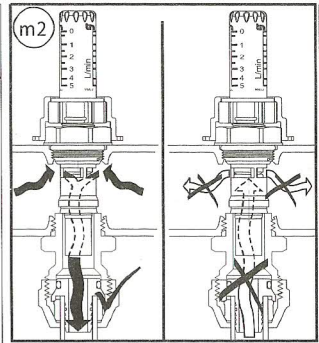
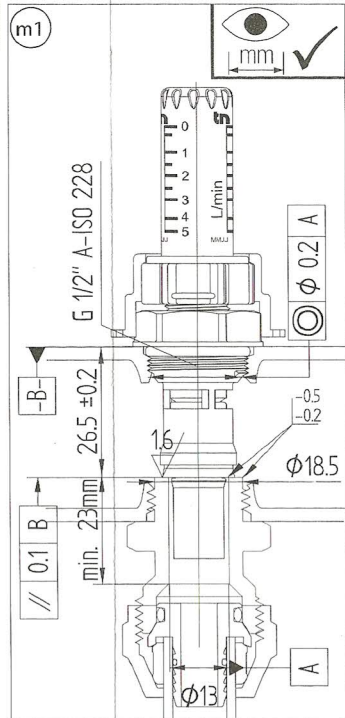
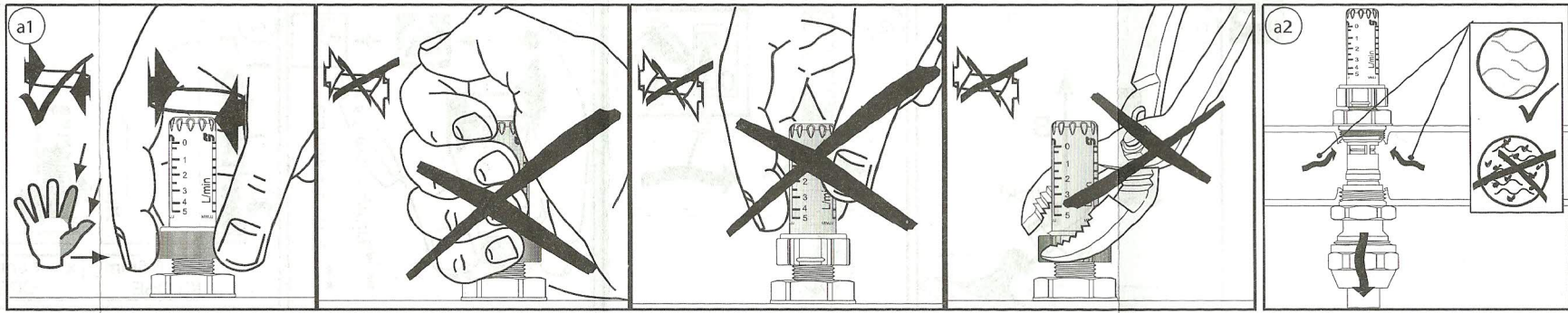
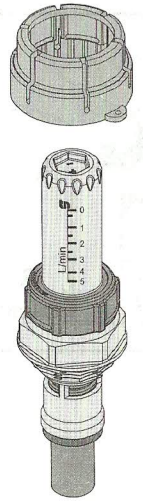


AO 23 TOPMETER VL 1/2"

ES OA
TOPMETER VL 1/2"



DN	G	
15	1/2"	24

TB	-10...70°C	
PB	6 bar	

